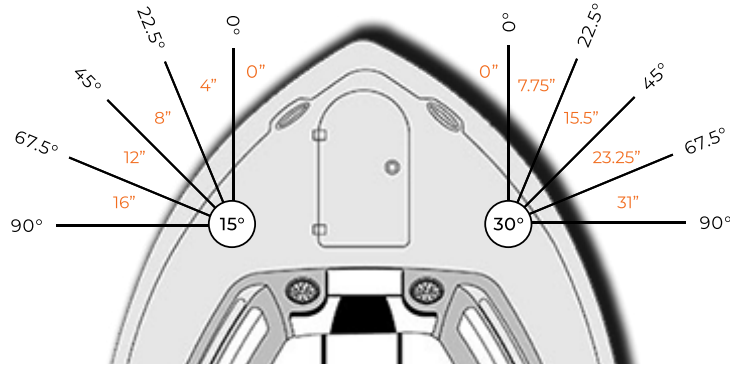




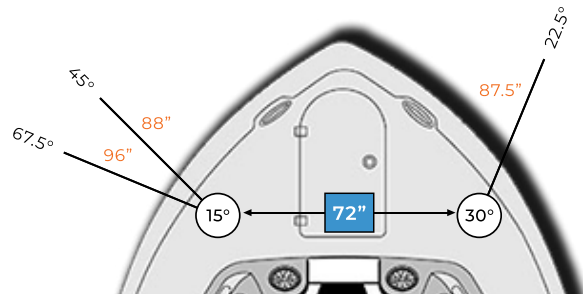
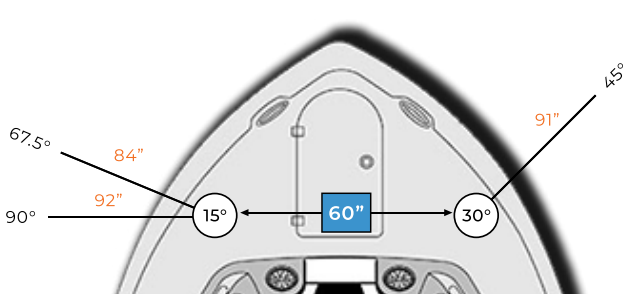
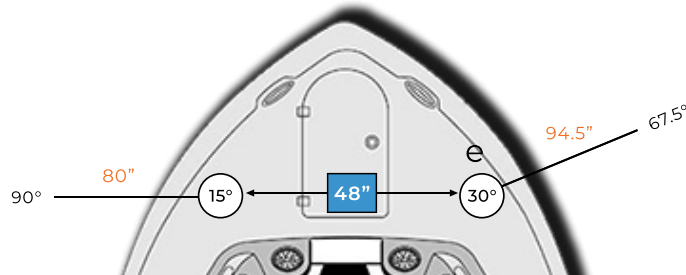
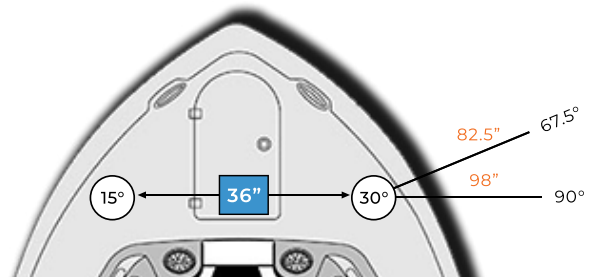
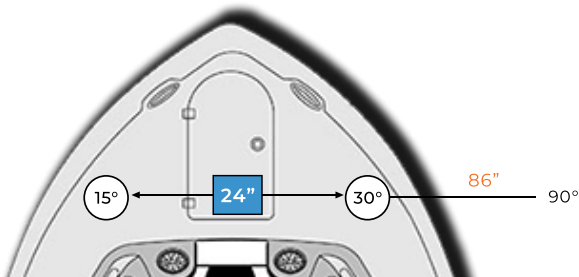
ROD HOLDER MOUNTING GUIDE

for 15-DEGREE and 30-DEGREE ROD HOLDERS

Mounting Locations:



Measure the distance between desired rod holders:



NOTE: Min 76" Max 95" Shade Width (Poles have slight flex)